



## Mezzanine floor system »BBS«

This particularly robust variation of our mezzanine floor system integrates perfectly into a number of space utilisation concepts. The multi-tier configuration allows to “multiply” expensive floor space, thus offering the possibility to use the additionally created floor space for a wider variety of activities.

Columns and joists form a rigid base structure which does not require cross bracing, permitting access from all sides. Mezzanine platforms/tiers can be adjusted at any required height.

**Benefit from our experience from the many projects which we realised in very different industries!**

# BITO

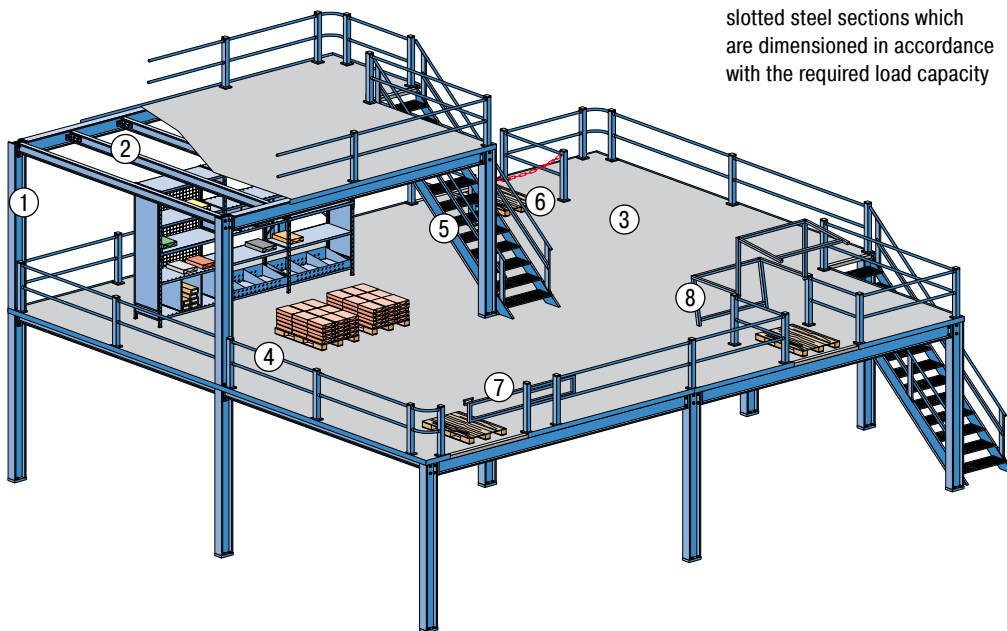
[www.bito.com](http://www.bito.com)

**Advantages of the system**

- optimum utilisation of available storage space
- fits in perfectly into existing concepts
- particularly sturdy design
- short set-up time
- load capacities of up to 1000 kg/m<sup>2</sup>
- static calculations made in accordance to the criteria of your local building authorities can be provided upon request

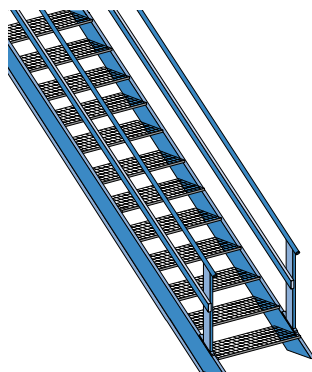
**Components of the system**

- 1 Columns**  
Made from unslotted steel sections which are dimensioned in accordance with the required load capacity
- 2 Joists**  
Made from unslotted or slotted steel sections which are dimensioned in accordance with the required load capacity
- 3 Decking**  
Available in various materials and finishes such as
  - chipboard panels, grade V20 E1
  - galvanised mesh decks
  - steel panels with embossed anti-slip surface
- 4 Railing**  
Consisting of hand and knee railing and kickplate
- 5 Stairways**
- 6 Pallet access position with chain barrier**
- 7 Pallet access position with sliding access gate**
- 8 Pallet access position with swing access gate**



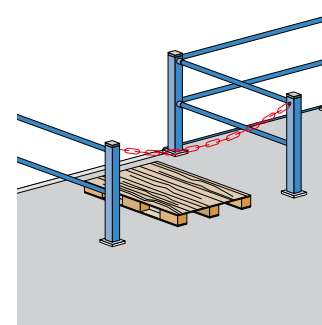
**5 Stairways**

Can be supplied in different variants. Choice of tread types: mesh-decked, steel sheet with embossed anti-slip surface, timber. Standard tread lengths 800 or 1000 mm. Longer treads upon request.



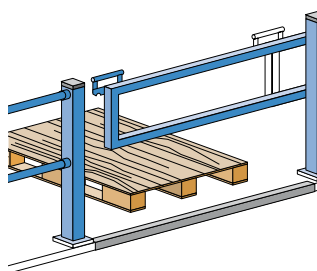
**6 Pallet access position with chain barrier**

Pallet depositing area delimited by two posts, side railing and a hook-in plastic chain.



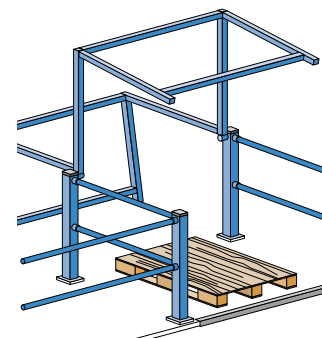
**7 Pallet access position with sliding access gate**

This smoothly operating sliding gate has the advantage that full use of the platform surface can be made.



**8 Pallet access position with swing access gate**

The swing access gate ensures that the pallet position is always closed on one side for optimum operator protection.





**RUKO GmbH**  
Precision tools



### Features

- mezzanine installation
- two-tier storage
- optimum utilisation of warehouse space
- high degree of flexibility
- immediate access to goods and fast collation of different reference lines to make one dispatch unit

### Function

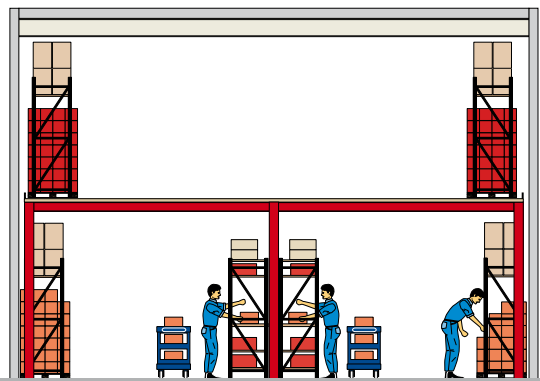
The world's leading manufacturer and supplier of drilling and counterboring tools, RUKO GmbH, who can boast an export share of 70%, opted for a mezzanine installation in their distribution centre in Holzgerlingen close to Stuttgart. With this gain in floor space, the company was able to optimise order picking, assembly and packaging.

Palletised goods are now stored in the racking set up on the mezzanine platform. This keeps the assembly workstations clear of goods and allows to make full use of the warehouse height.



### Benefits

- optimum utilisation of the warehouse volume
- customer specific configuration
- operators at the assembly workstations are not disturbed by goods standing about





*Cena*

**CENA GmbH**  
Plastics processing industry



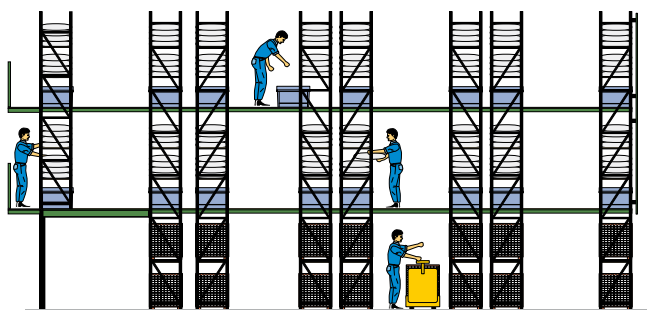
### Features

- three-tier installation (steel mezzanine with two-tier pallet racking on top)
- 800 mm deep (double runs 1800 mm deep), steel panel decking
- multi-purpose containers, type MB84421 sized 800 x 400 mm
- manual order picking

### Function

The product range of Cena Kunststoff GmbH in Battenberg stretches from protective elements such as plugs and caps over torque parts such as bolts and nuts made to DIN standards, cable screw connections and accessories to purpose-built items. In the production department, the plastic screw connectors are filled into multi-purpose containers or sacks which are stored in the pallet racking installation for later order picking and dispatch to the customers.

The platform spans a part of the production area which, for optimum floor space occupation, is also used to manually stock and pick plastic parts.



### Benefits

- optimum utilisation of floor surface and warehouse height
- high storage capacity
- all goods are directly and immediately accessible which reduces picking times